

## 635nm 10mW LD

By converting the external APC circuit board into an ASIC, we package the APC circuit into a traditional TO-can together with the laser chip. From now on, single package APC function included laser diode is realized.

Powered with Arima's proprietary APC **LASER DIODE™** technology, **ADL-63104GB4** is your perfect solution for the stable light power output, compact size, high brightness laser light source.



### Features

1. 635nm 10mW 50°C high reliable operation
2. Saving space and cost of laser module
3. Voltage driven LD, easy to use
4. Highly stable laser output power
5. Strong reverse bias protection
6. Reliable high temperature operation
7. High ESD sustainability voltage, ~10KV
8. Broad bandwidth from blue to infrared
9. High power operation vs. supply current up to 300mA
10. Stable output power vs. supply voltage from 2.5V to 6.0V.
11. Light-fuse: automatic shutdown when output power over the limit

### Applications

1. High precision measuring instruments
2. High precision industrial makers
3. Survey and engineering instruments

### Absolute maximum ratings

| Parameter                  | Symbol    | Rating    | Unit |
|----------------------------|-----------|-----------|------|
| Power supply voltage       | $V_{cc}$  | 2.5~6.0   | V    |
| Laser optical output power | $P_o$     | 13.0      | mW   |
| Operation temperature      | $T_{opr}$ | -10 ~ +50 | °C   |
| Storage temperature        | $T_{stg}$ | -40 ~ +85 | °C   |

### Electrical and optical characteristics ( $T_c=25^\circ\text{C}$ )

| Parameter                         | Symbol                       | Min. | Typ. | Max. | Unit          | Conditions                                      |
|-----------------------------------|------------------------------|------|------|------|---------------|---|
| Wavelength                        | $\lambda$                    | 630  | 639  | 642  | nm            | $P_o=10\text{mW}$                               |
| Operation current                 | $I_{op}$                     | -    | 55   | 80   | mA            | $P_o=10\text{mW}$                               |
| Variable resistor                 | VR                           | 10   | 15   | 22   | K $\Omega$    | $V_{cc}=3\text{V}$                              |
| Parallel divergence angle         | $\theta_{//}$                | 5    | 7.5  | 11   | Deg           | $P_o=10\text{mW}$                               |
| Perpendicular divergence angle    | $\theta_{\perp}$             | 29   | 33   | 39   | Deg           |   |
| Parallel FFP deviation angle      | $\Delta\theta_{//}$          | -3.0 | 0    | +3.0 | Deg           |   |
| Perpendicular FFP deviation angle | $\Delta\theta_{\perp}$       | -3.0 | 0    | +3.0 | Deg           |   |
| Emission point accuracy           | $\Delta x \Delta y \Delta z$ | -80  | 0    | +80  | $\mu\text{m}$ | -   |
| Power-Temp stability (25~50°C)    | $\Delta P_{oT}$              | -20  | -10  | 0    | %             | $P_o=10\text{mW}, V_{cc}=3.0\text{V}$           |
| Power-Vcc stability (6.0~3.0V)    | $\Delta P_{oV}$              | -15  | -10  | 0    | %             | $P_o=10\text{mW}, \text{Temp}=25^\circ\text{C}$ |
| Power-Vcc stability (3.0~2.5V)    | $\Delta P_{oV}$              | -15  | -10  | 0    | %             | $P_o=10\text{mW}, \text{Temp}=25^\circ\text{C}$ |

\* Effective heat sink is recommended on 6V case due to extra heat

ARIMA LASERS CORP.

PHONE: 886-3-4699800 | FAX: 886-3-4699600

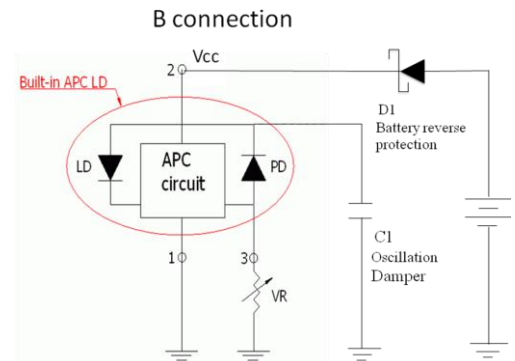
E-MAIL: Ldsales@arimalasers.com | www.arimalasers.com

For reference only. Contents above are subject to change without notice.

## 635nm 10mW LD

### Block Diagram:

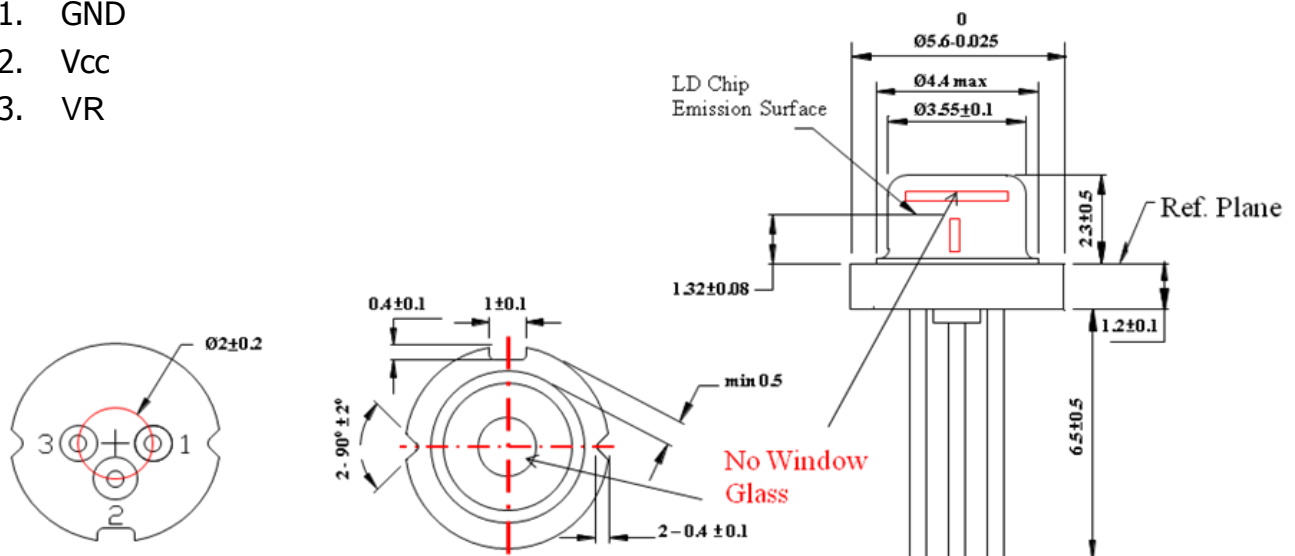
1. Traditional LD needs to connect an external APC circuit board for the constant power operation. The VR (variable resistor) is used to adjust the laser output to a desired target power.
2. **ADL-63104GB4** consists an APC IC inside the **TO-5.6mm** package, and leaves the VR outside for adjusting the optical output power.
3. Oscillation Damper is recommended for stabilizing the optical output power.
4. Battery reverse protection is recommended for protecting the APC Circuit.



1. GND
2. Vcc
3. VR

### Outline Dimension & Pin Assignment:

1. GND
2. Vcc
3. VR



### • Precautions

- \* To protect laser from overdriving condition, setting VR to maximum value before you turn on Vcc can minimized the laser output power.
- \* Do not operate the device above the maximum rating condition, even momentarily. It may cause unexpected permanent damage to the device.
- \* Semiconductor laser device is very sensitive to electrostatic discharge. High voltage spike current may change the characteristics of the device, or malfunction at any time during its service period. Therefore, proper measures for preventing electrostatic discharge are strongly recommended.
- \* To obtain a stable characteristic and good reliability, the effective heat sink is necessary. So it is recommended that always apply proper heat sink before the device is operating.
- \* Do not look into the laser beam directly by bare eyes. The laser beam may cause severe damage to human eyes.

### ARIMA LASERS CORP.

PHONE: 886-3-4699800 | FAX: 886-3-4699600

E-MAIL: Ldsales@arimalasers.com | www.arimalasers.com

For reference only. Contents above are subject to change without notice.